

EXPLODED VIEW & PARTS LISTING

Air Operated Double Diaphragm Pump

Model: DP-50-HD (XDP)
Cast Iron Series



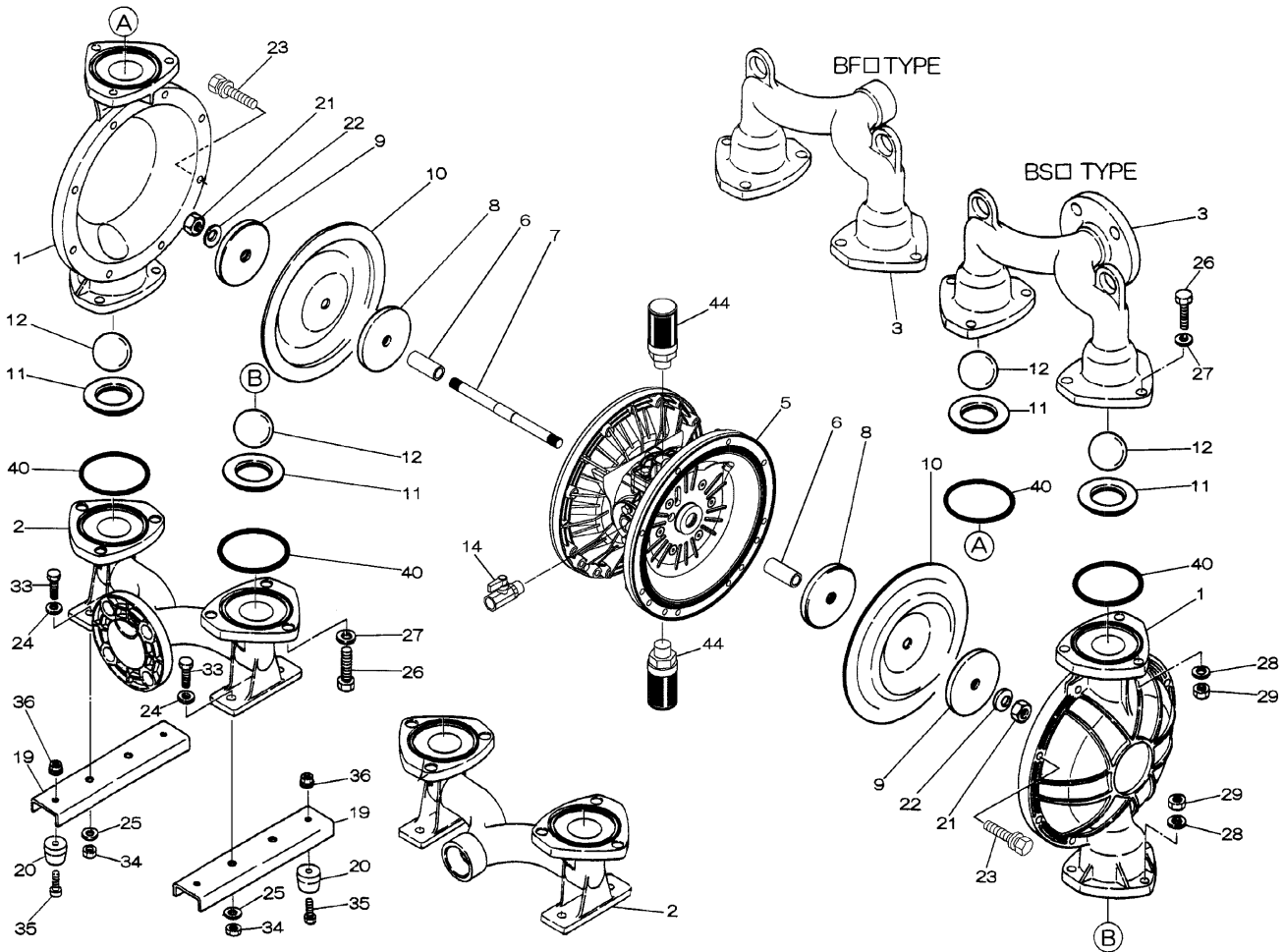
To Purchase:

- 800-990-7867
- sales@yamadapump.com
- Find My Rep

More Information:

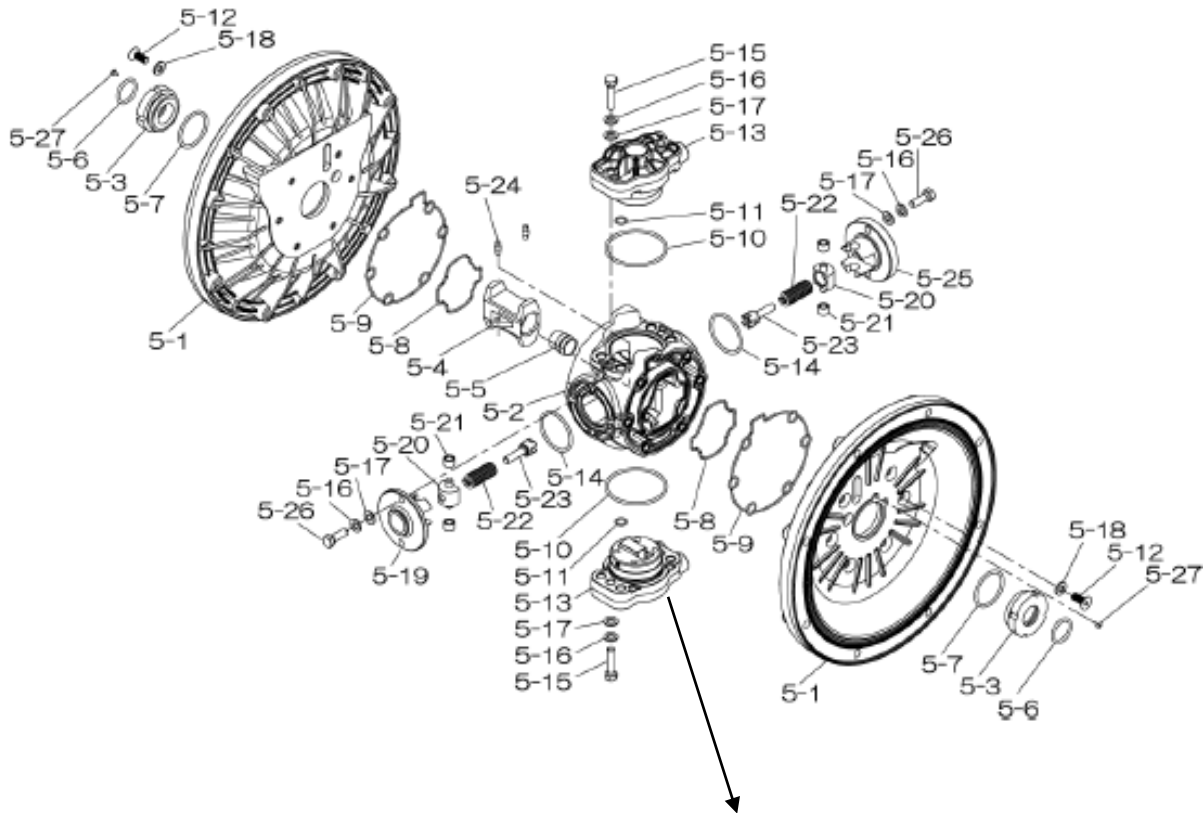
- YouTube: @yamadapump
- yamadapump.com
- Data Sheets | CAD Drawings | Manuals Literature | BOM | Performance Curves

Trial Program

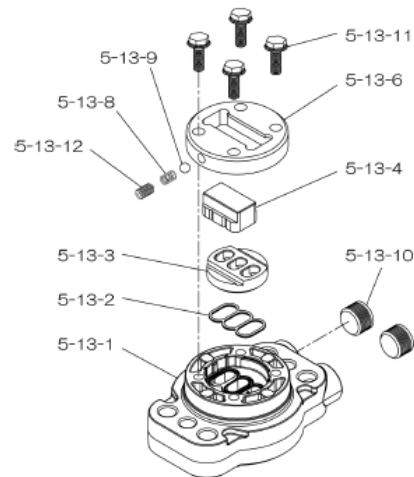


Air Operated Double Diaphragm Pump

804778 Center Body Assembly



804784 Valve Body Assembly



Air Operated Double Diaphragm Pump

	DP-50BFC-HD	DP-50BFN-HD	DP-50BFE-HD	DP-50BFV-HD	DP-50BFH-HD	DP-50BFS-HD			
XDP	854450	854451	854452	854453	854455	854456	** NPT PUMPS **		
REF. No.	PARTS No.	PARTS No.	PARTS No.	PARTS No.	PARTS No.	PARTS No.	DESCRIPTION	QTY.	REORDER
1	713157	713157	713157	713157	713157	713157	OUT CHAMBER NDP-50FC	2	
2	713169	713169	713169	713169	713169	713169	IN MANIFOLD NDP-50FC	1	
3	713166	713166	713166	713166	713166	713166	OUT MANIFOLD NDP-50FC	1	
5	804778	804778	804778	804778	804778	804778	CENTER BODY ASSY DP-50-HD	1	
5- 1	716247	716247	716247	716247	716247	716247	AIR CHAMBER	2	
5- 2	716256	716256	716256	716256	716256	716256	BODY	1	
5- 3	773048	773048	773048	773048	773048	773048	THROAT BEARING	2	
5- 4	716214	716214	716214	716214	716214	716214	SHUTTLE (CS)	1	
5- 5	773047	773047	773047	773047	773047	773047	CENTER ROD GUIDE	1	
5- 6	640023	640023	640023	640023	640023	640023	O RING 24.6MM X 3.6MM	2	
5- 7	640133	640133	640133	640133	640133	640133	O RING	2	
5- 8	773040	773040	773040	773040	773040	773040	GASKET	2	
5- 9	773041	773041	773041	773041	773041	773041	GASKET	2	
5-10	640138	640138	640138	640138	640138	640138	O RING (64.5X3.0MM)	2	
5-11	640007	640007	640007	640007	640007	640007	O RING 9.5MM X 2.0MM	8	
5-12	683812	683812	683812	683812	683812	683812	M8X1.25X20 FLAT SOCKET	12	
5-13	804784	804784	804784	804784	804784	804784	VALVE BODY ASSY	2	
5-13- 1	716244	716244	716244	716244	716244	716244	VALVE BODY(H40.50.80)	1	
5-13- 2	773042	773042	773042	773042	773042	773042	GASKET	1	
5-13- 3	716246	716246	716246	716246	716246	716246	SEAT (CS)	1	
5-13- 4	773425	773425	773425	773425	773425	773425	BLOCK	1	
5-13- 6	773426	773426	773426	773426	773426	773426	GUIDE PLATE	1	
5-13- 8	706612	706612	706612	706612	706612	706612	SPRING INK	1	
5-13- 9	686271	686271	686271	686271	686271	686271	BALL	1	
5-13-10	772934	772934	772934	772934	772934	772934	PLUG 20/25-PP	2	
5-13-11	602300	602300	602300	602300	602300	602300	TAPPING BOLT M6X1X16	4	
5-13-12	610025	610025	610025	610025	610025	610025	HEX. SOCKET HEAD SCREW	1	
5-14	640134	640134	640134	640134	640134	640134	O RING 44.5MM X 3MM	2	
5-15	611153	611153	611153	611153	611153	611153	BOLT M8X1.25X35 HEX FT	4	
5-16	631420	631420	631420	631420	631420	631420	SPRING WASHER M8 ZINC	8	
5-17	631013	631013	631013	631013	631013	631013	WASHER FLAT M8 ZINC DI	8	
5-18	684987	684987	684987	684987	684987	684987	WASHER 40/50/80 NEW	12	
5-19	716249	716249	716249	716249	716249	716249	RETAINER	1	
5-20	713620	713620	713620	713620	713620	713620	SPRING GUIDE	2	
5-21	773067	773067	773067	773067	773067	773067	BUSH	4	
5-22	684537	684537	684537	684537	684537	684537	SPRING	2	
5-23	714446	714446	714446	714446	714446	714446	TRIP ARM	2	
5-24	700231	700231	700231	700231	700231	700231	PIN	2	
5-25	716216	716216	716216	716216	716216	716216	RETAINER	1	
5-26	611149	611149	611149	611149	611149	611149	BOLT M8X1.25X25 FT ZIN	4	
5-27	686337	686337	686337	686337	686337	686337	TAPPING SCREW	2	
6	716219	716219	716219	716219	716219	716219	CENTER BUSH	2	
7	716218	716218	716218	716218	716218	716218	CENTER ROD	1	
8	711904	711904	711904	711904	711904	711904	CENTER DISK 50-R	4	
9	713370	713370	713370	713370	713370	713370	CENTER DISK 50FC	2	
10	771855	771702	771856	771800	771703	771976	DIAPHRAGM 50	2	
11	771957	771995	771949	771987	771794	772004	VALVE SEAT 50	4	
12	770627	770630	770633	770636	773143	773173	BALL 50 -63MM	4	
14	684322	684322	684322	684322	684322	684322	BALL VALVE 50/80 3/4"	1	
19	711928	711928	711928	711928	711928	711928	BASE 50	2	
20	771402	771402	771402	771402	771402	771402	FOOT RUBBER 40/50/80&2	4	

Air Operated Double Diaphragm Pump

	DP-50BFC-HD	DP-50BFN-HD	DP-50BFE-HD	DP-50BFV-HD	DP-50BFH-HD	DP-50BFS-HD			
REF. No.	PARTS No.	PARTS No.	PARTS No.	PARTS No.	PARTS No.	PARTS No.	DESCRIPTION	QTY.	REORDER
XDP	854450	854451	854452	854453	854455	854456	** NPT PUMPS **		
21	683408	683408	683408	683408	683408	683408	M16X1.50 NYLON NUT SS	2	
22	682740	682740	682740	682740	682740	682740	WASHER M16 SS CONICAL	2	
23	686160	686160	686160	686160	686160	686160	BOLT M10X1.5X45	16	
24	631014	631014	631014	631014	631014	631014	WASHER FLAT M10 ZINC	4	
25	631917	631917	631917	631917	631917	631917	WAVE WASHER M10	20	
26	611202	611202	611202	611202	611202	611202	BOLT	12	
27	631015	631015	631015	631015	631015	631015	WASHER FLAT M12 ZINC D	12	
28	631918	631918	631918	631918	631918	631918	WAVE WASHER	12	
29	627014	627014	627014	627014	627014	627014	NUT M12X1.75 CT ZINC	12	
33	611175	611175	611175	611175	611175	611175	BOLT M10 X 30 FT ZY	4	
34	627013	627013	627013	627013	627013	627013	NUT M10 X 1.5 ZINC DIN	4	
35	611149	611149	611149	611149	611149	611149	BOLT M8X1.25X25 FT ZIN	4	
36	682276	682276	682276	682276	682276	682276	NUT W/ FLANGE M8 X 1.2	4	
40	640069	640069	684122	642069	640069	684122	O RING 104.3MM X 5.7MM	4	
44	804697	804697	804697	804697	804697	804697	MUFFLER 20/25PP NEW	2	
KIT	K50-MC	K50-MN	K50-ME	K50-MV	K50-MH	K50-MS	LIQUID SIDE		
KIT	K45-AM-DP-HD						AIR MOTOR		

General Tools:

- Socket wrench - 24mm
- Hexagonal box wrench - 5mm, 6mm
- Small crowbars - 2 (B_C, B_N, B_E, B_V)
- Open-end wrenches - 19mm, 24mm
- Phillips head screw driver

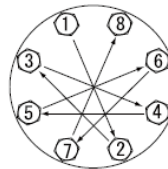
Special Tools:

- Socket (804129) for a guide to remove the throat bearing (sold separately)

Miscellaneous:

- Assembly Oil - Turbine oil none additional class 1 (equivalent to ISA VGA32 grade)
- Nuts - M16 x 1.5
- Thread locker
- Urea grease grade (NLGI) No. 2, Shell Alvania Grease S1

Torque Requirements:



Tightening torque for center rod and out chambers.

Center Rod 43 ft-lbf {60 N-m}
Out Chambers 29 ft-lbf {40 N-m}

Tightening torque for manifold retainer bolts.

BF_ 18 ft-lbf {25 N-m}

Customer Notes

Model #: _____
 Description: _____
 Serial #: _____
 Date Installed: _____
 Department Location: _____
 Tag/Project: _____